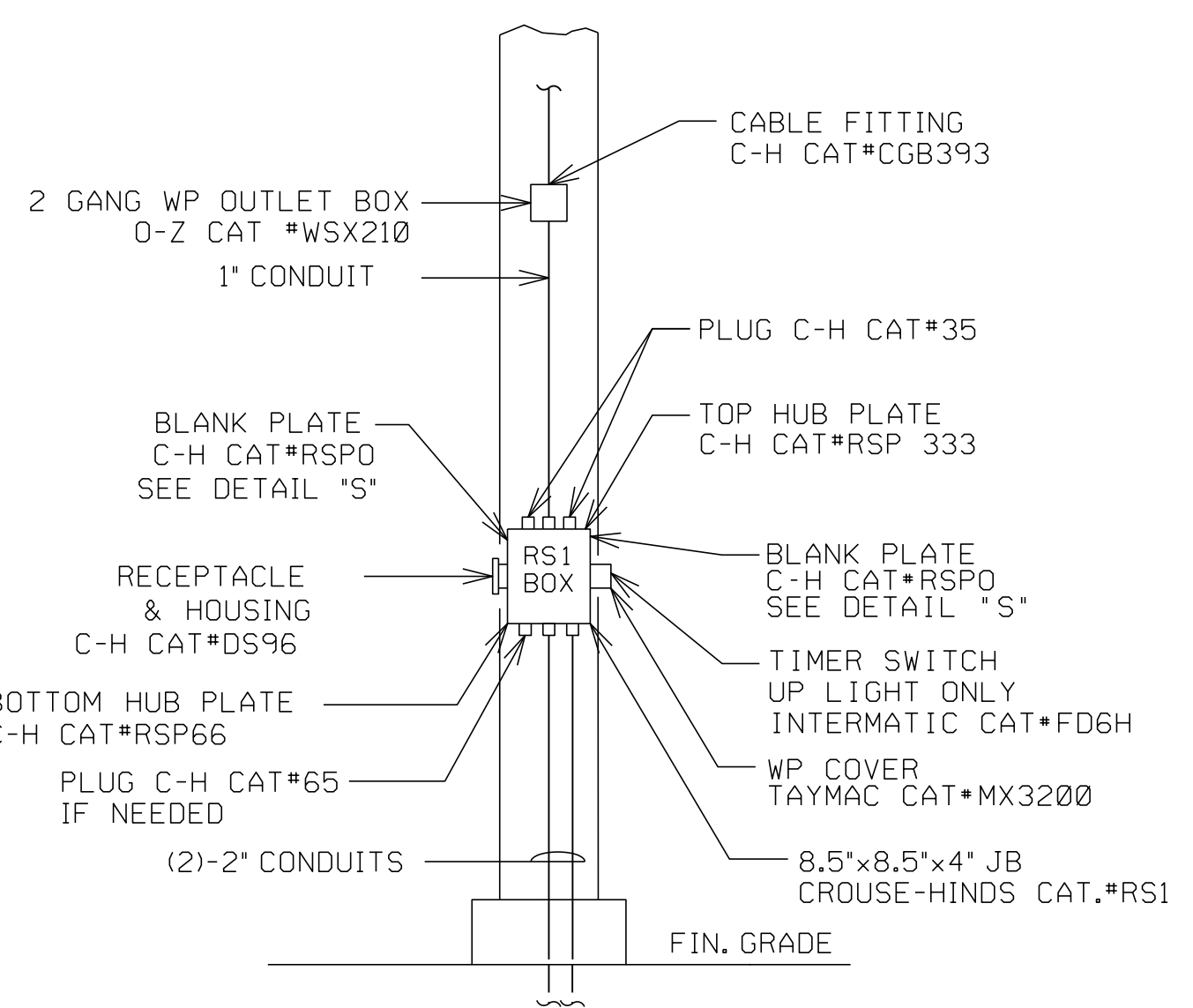
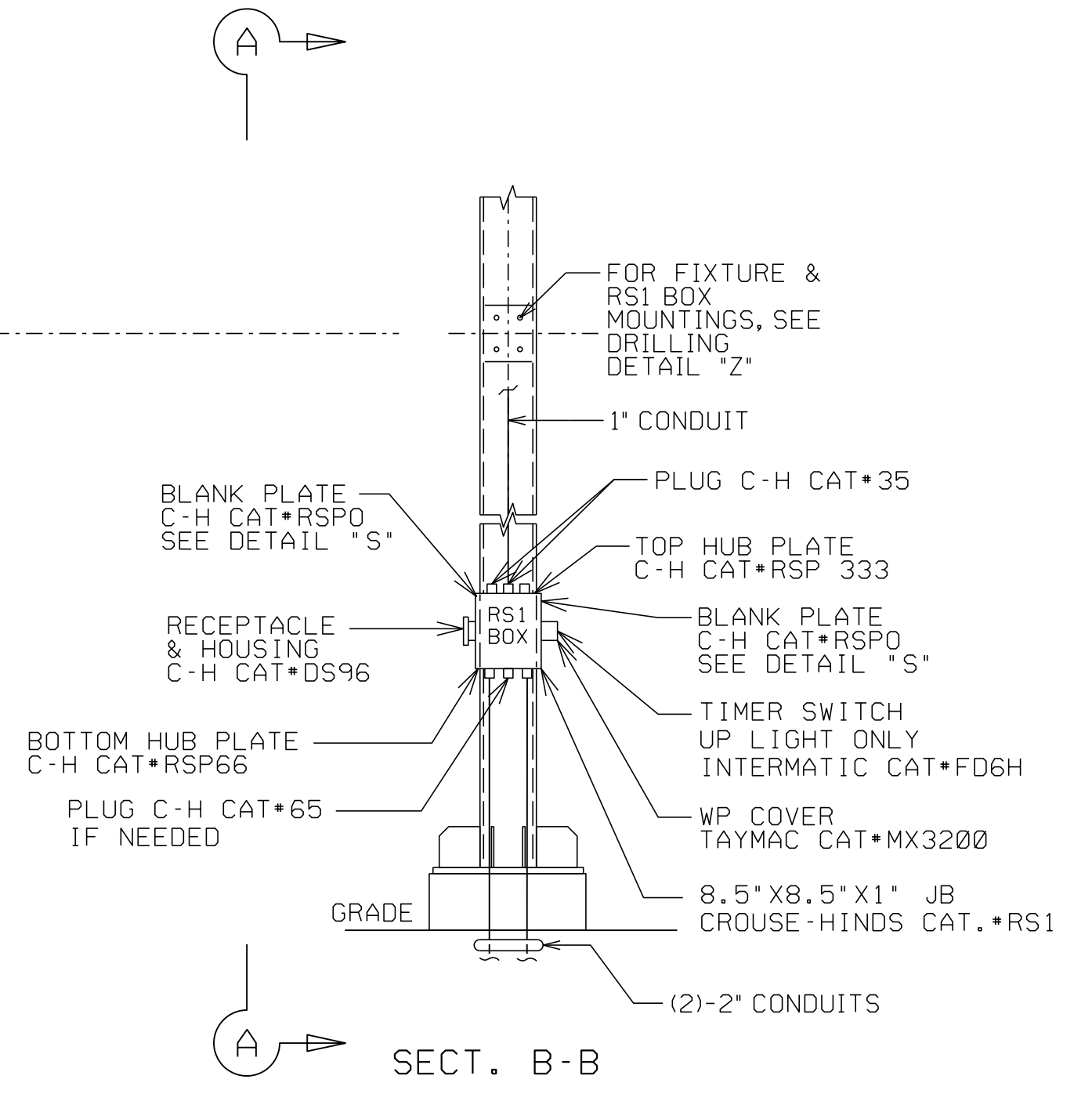
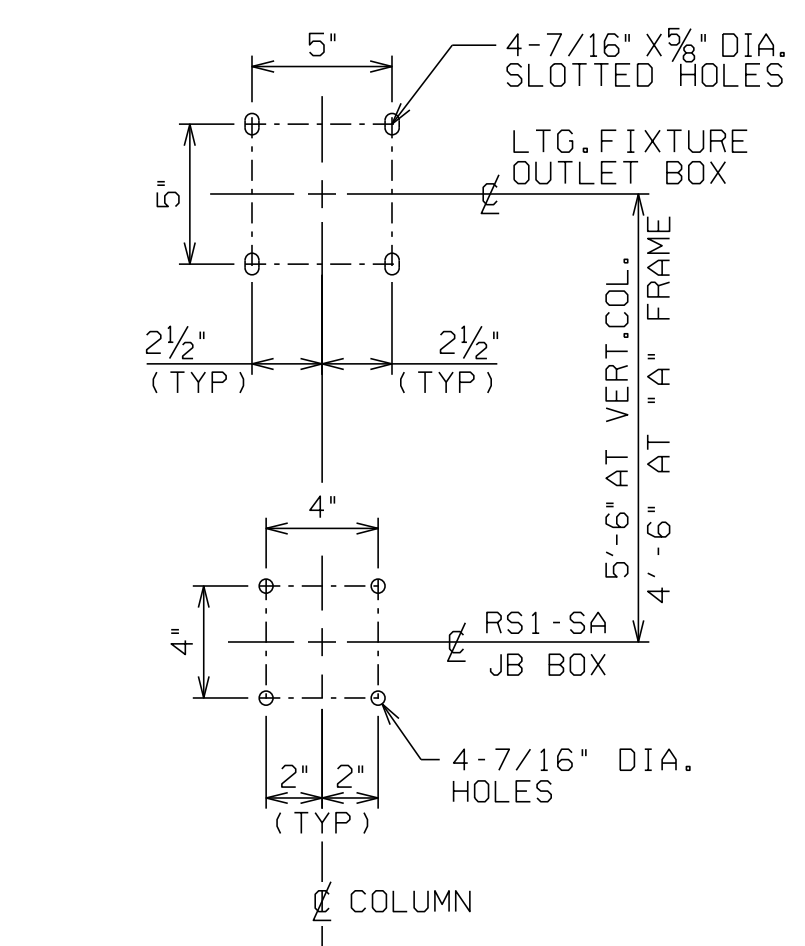


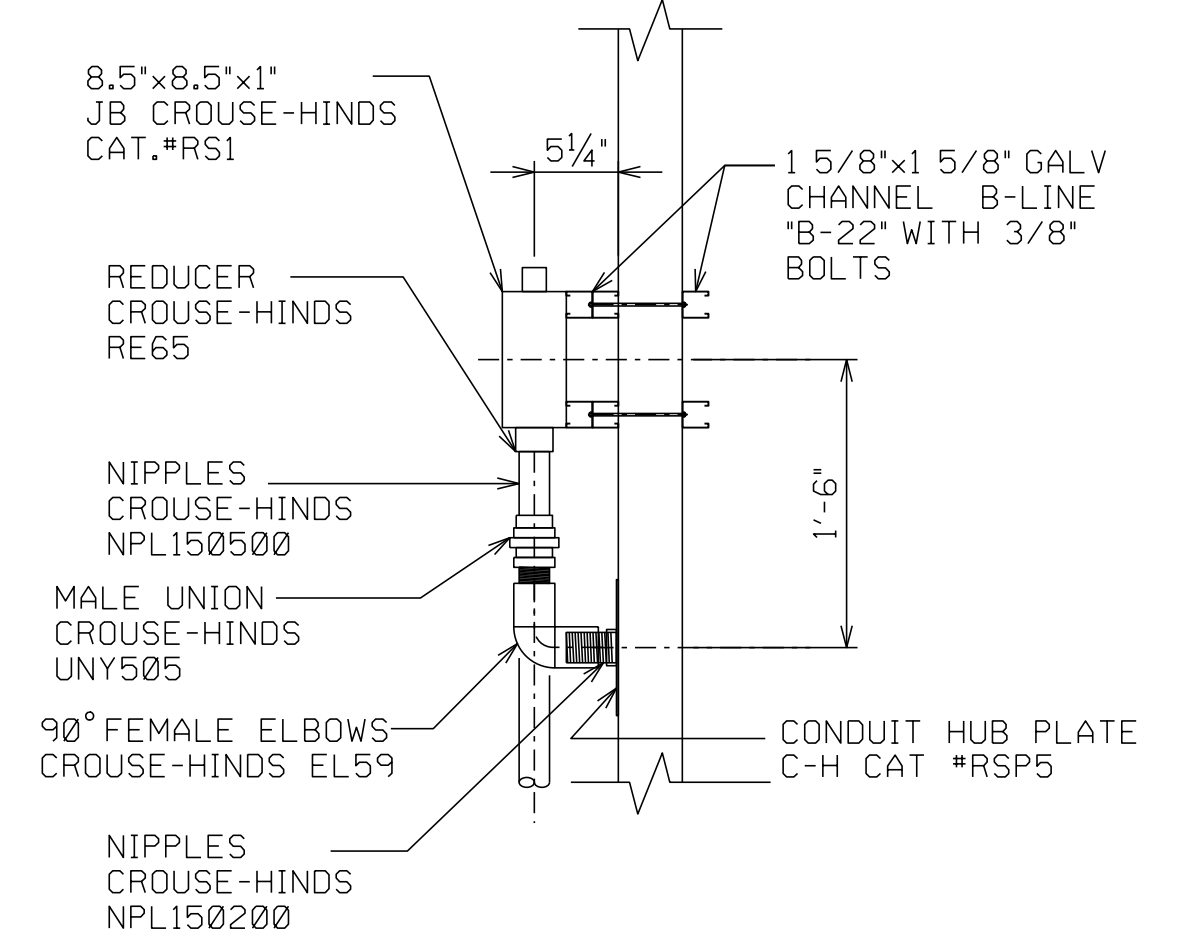
TYP. UP & DOWN LIGHTING ASSEMBLY AT VERTICAL COLUMN
SCALE: NTS



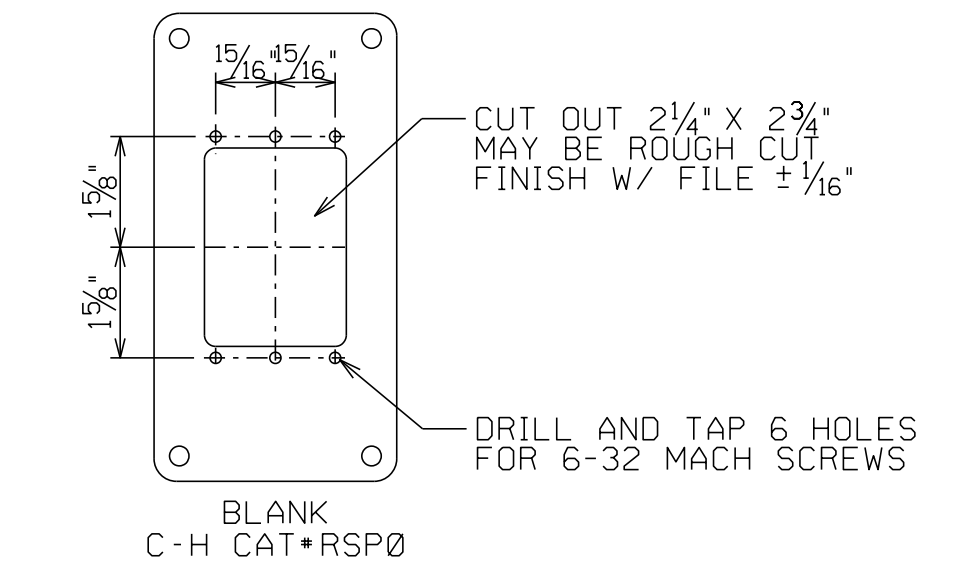
"JB" ASSEMBLY DETAIL FOR HOLOPHANE "PSLED" FIXTURES
(NOT TO SCALE)



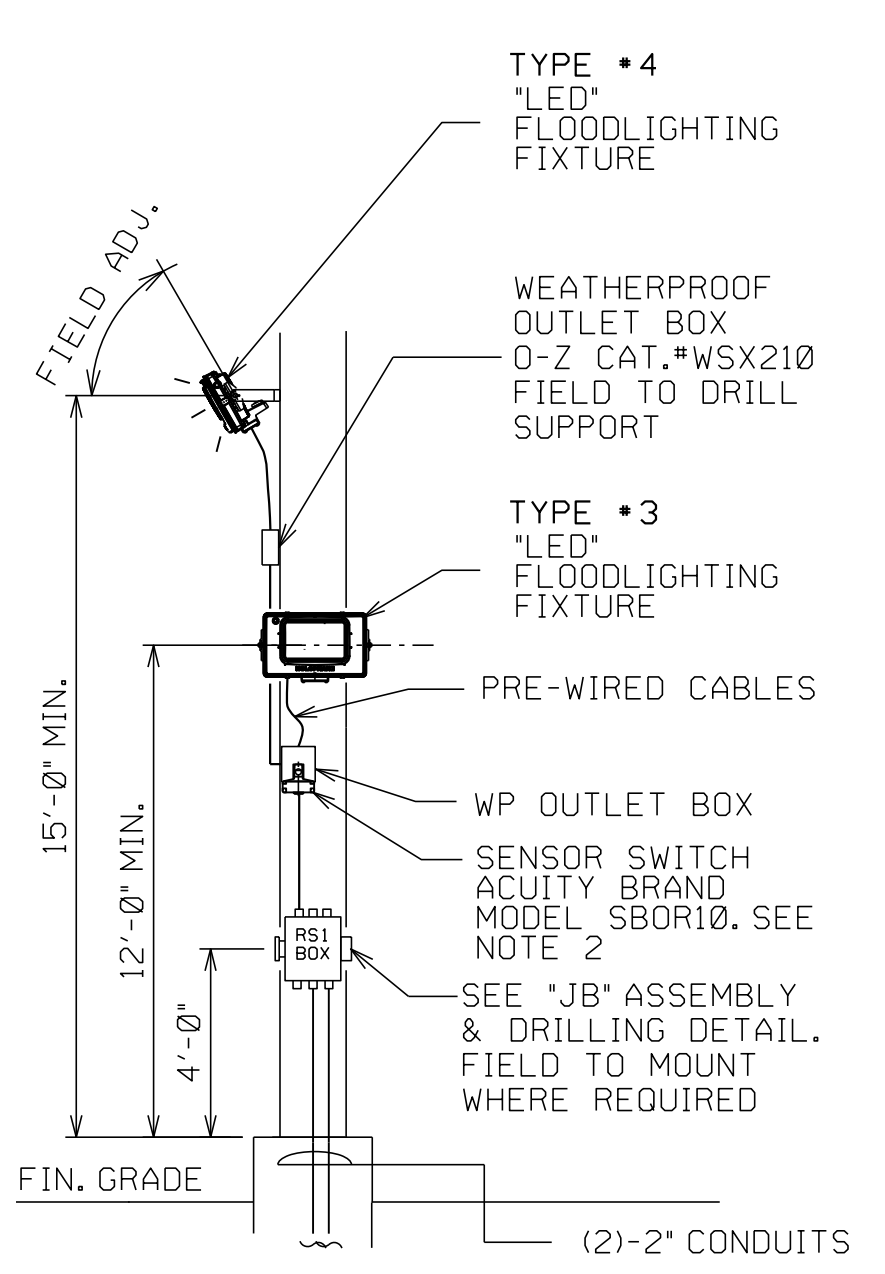
DRILLING DETAIL "Z"
SCALE: NTS



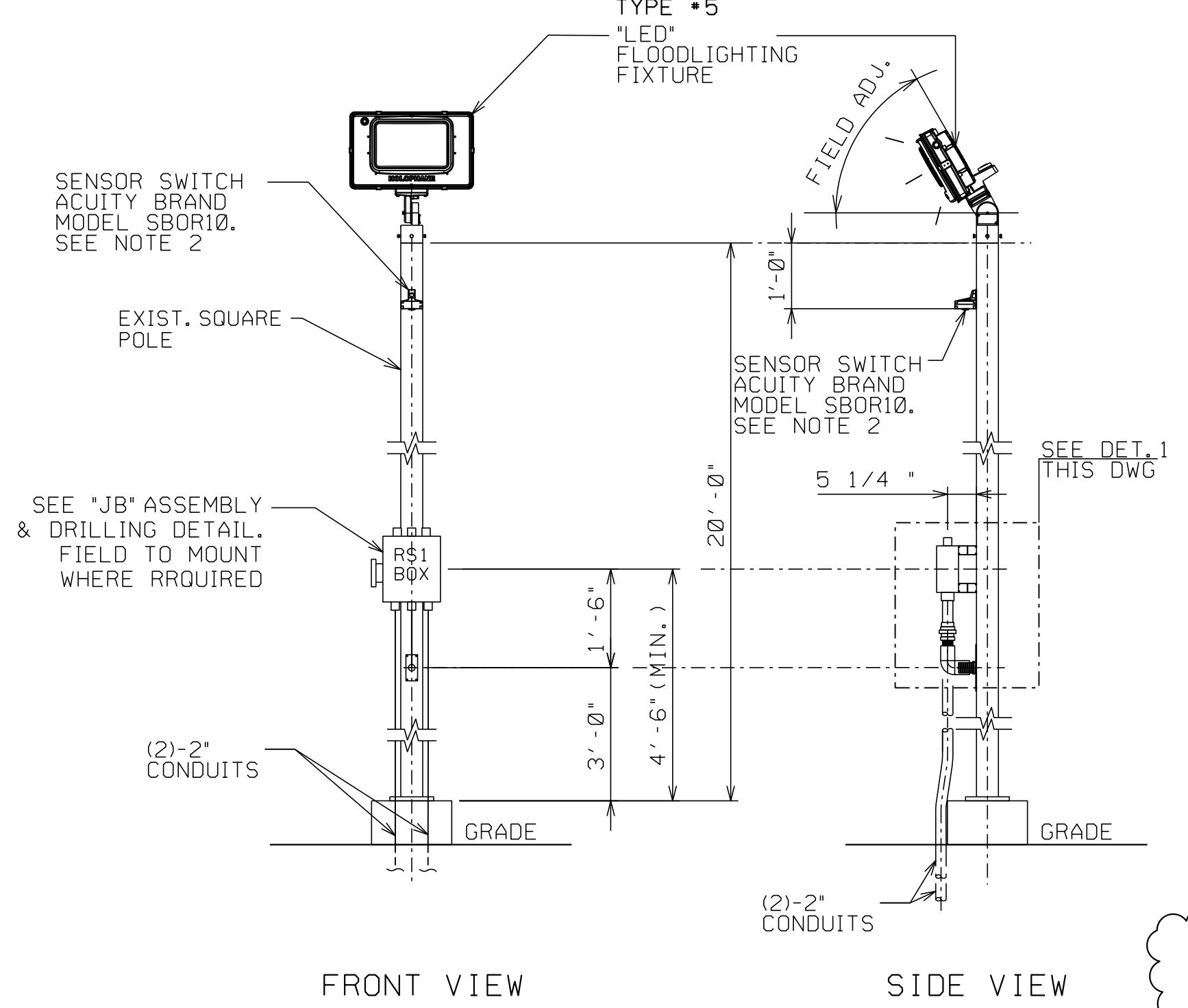
DET. 1 - SECTION
(NOT TO SCALE)



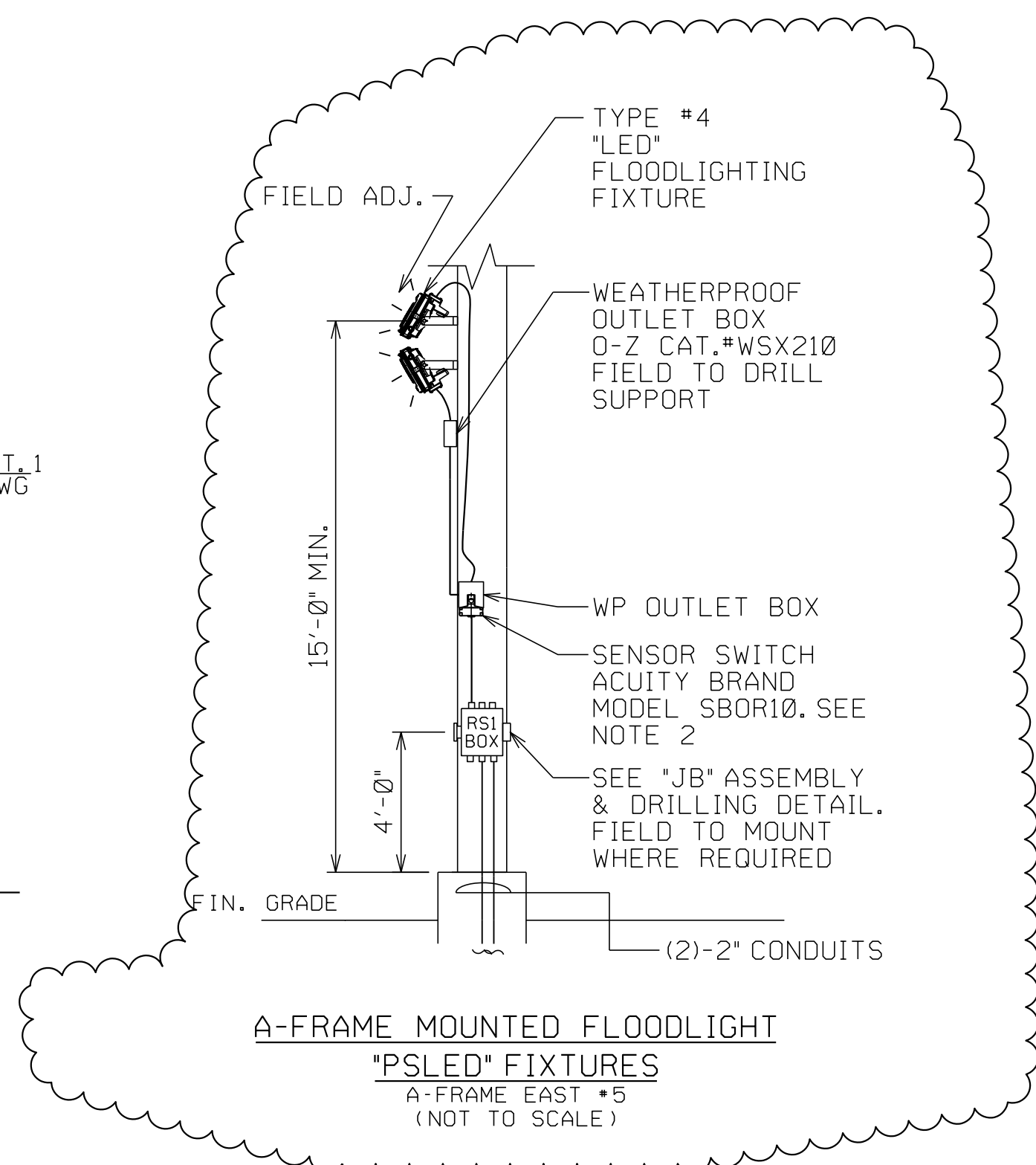
DETAIL "S"
BY FIELD OR PREFAB
SCALE: NTS



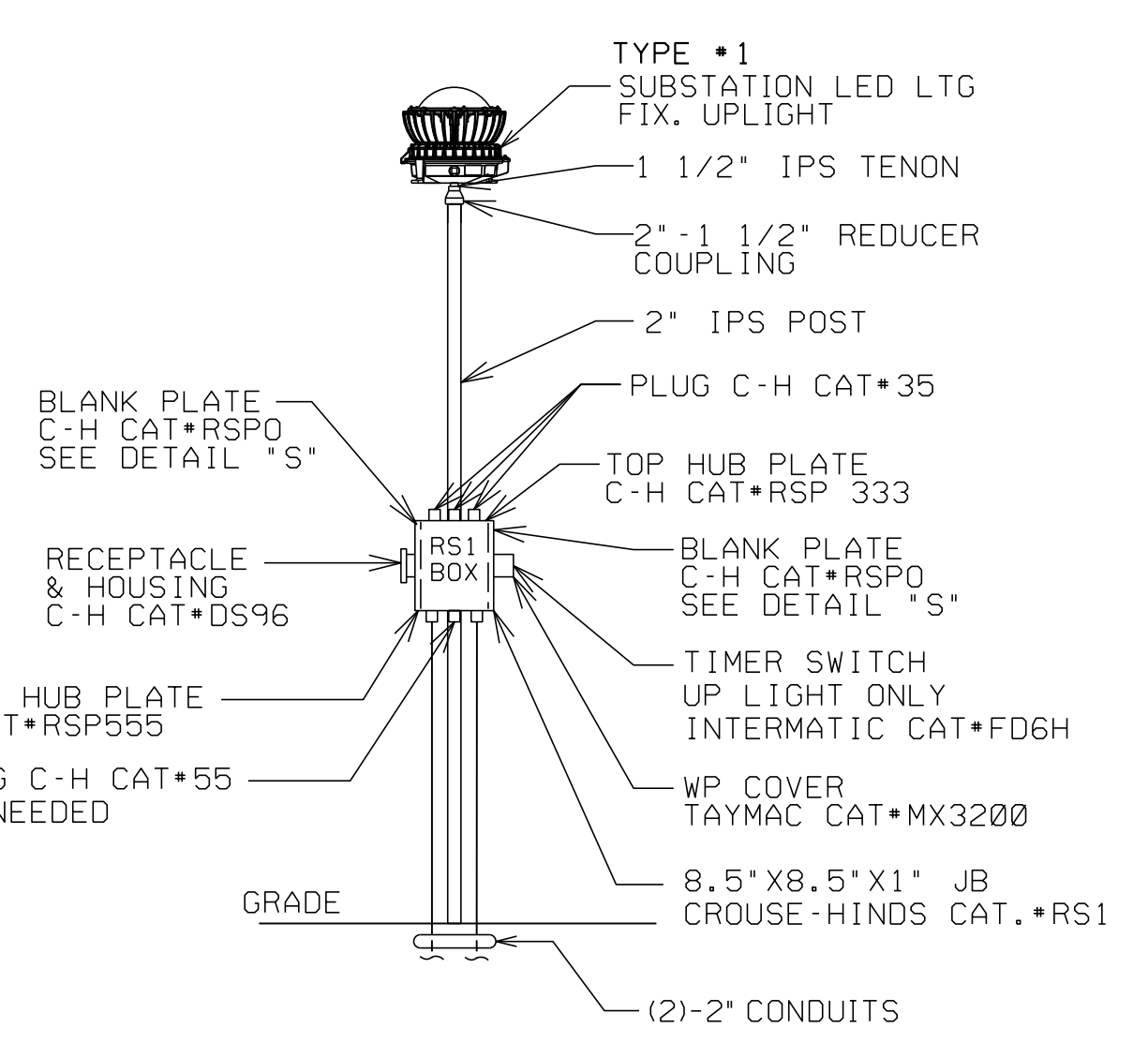
EXIST. STEEL MOUNTED PREDATOR "PSLED" FIXTURES
(NOT TO SCALE)



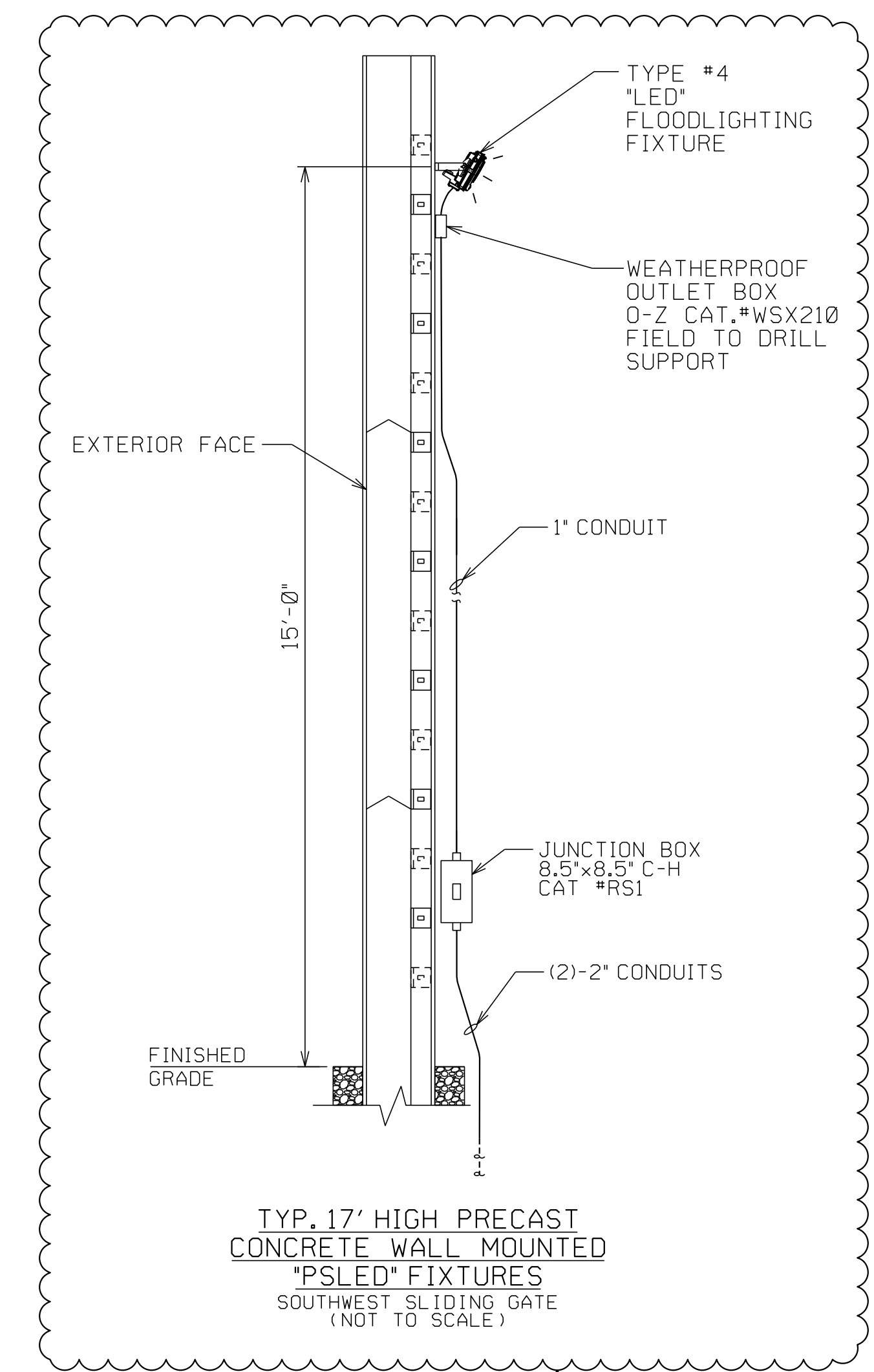
TYPICAL FLOOD LIGHT ON 20' STEEL MONOPOLE ASSEMBLY
SCALE: NTS



A-FRAME MOUNTED FLOODLIGHT "PSLED" FIXTURES
(NOT TO SCALE)



TYP. UPLIGHTING ASSEMBLY ON STEEL POST/POLE
SCALE: NTS



TYP. 17' HIGH PRECAST CONCRETE WALL MOUNTED "PSLED" FIXTURES
(NOT TO SCALE)

LEGEND:

- ITEM # TO BE ADDED TO THE PROJECT BOM DWG.
- UPLIGHT
- DOWNLIGHT
- FLOODLIGHT
- RECEPTACLE
- TIMER SWITCH
- SENSOR SWITCH

REV. 0 NOTE:

- 1. DETAILS & SCHEDULE RELOCATED FROM DWG.#296061-A, ADDED (2) TWO TYPE #4 FLOODLIGHTS FOR ADDITIONAL H-FRAME.

REFERENCE DRAWINGS:

- 230/13KV ULTIMATE LIGHTING DISTRIBUTION PLAN DWG.#296061-A

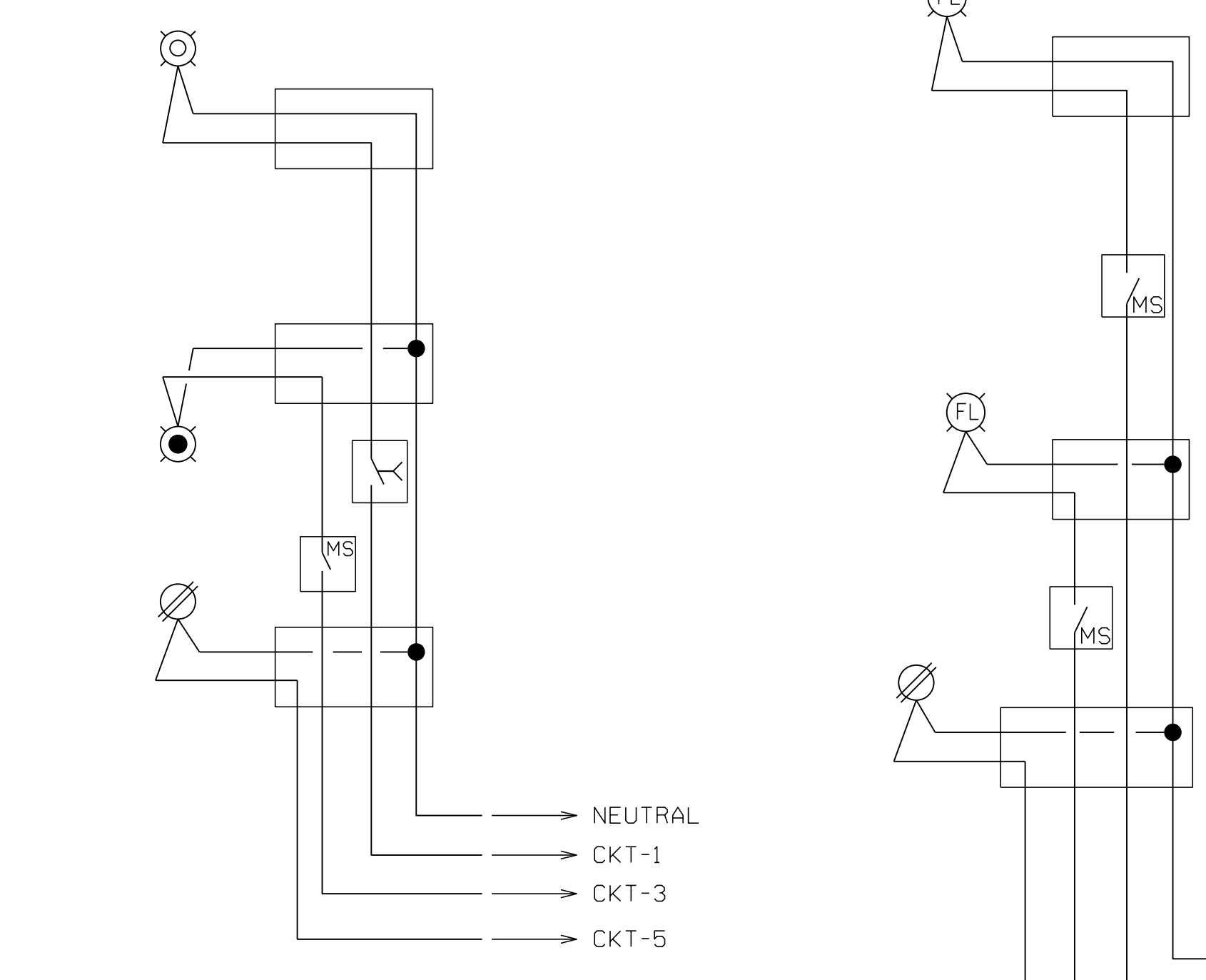
NOTES:

1. ALL TYPES OF LIGHTS WILL NORMALLY BE ON FOR GENERAL ILLUMINATION & SECURITY PURPOSES (DUSK TO DAWN PHOTO CELL CONTROLLED).
2. ALL DOWNLIGHTS SHALL BE CONNECTED WITH MOTION SENSOR SINCE THIS SENSOR IS NOT INTEGRAL PART OF LIGHTING FIXTURE, THE MANUFACTURER SHALL PROVIDE OPENING ON METAL POLE INCLUDING THE LOCATION/POSITION AND INSTALLATION SUPPORT. ORDER MOTION SENSOR SWITCH "SB0R10" SEPARATELY FROM LIGHTING FIXTURE.
3. FOR TYPES, DESCRIPTIONS, MOUNTING HEIGHT AND LIGHTING INTENSITY OF ALL FIXTURES SEE FIXTURE SCHEDULE, NOTES & LEGEND.
4. ALL LIGHTING CABLES TO BE RUN VIA STATION TRENCH WHERE POSSIBLE OR 2" PVC CONDUIT SCH. 40 WITH A MIN. OF 24" BELOW GRADE. USE GALV STEEL CONDUIT FOR ALL ABOVE GRADE INSTALLATION.
5. TIMER SWITCH APPLIES TO UPLIGHT FIXTURES ONLY.
6. MOUNT LIGHTING FIXTURES & OUTLET BOXES ON CONC. WALLS OR COLUMN. USE YOKE MOUNTING FRAME & BOLTS ON LIGHTING FIXTURES. DRILLING AS PER MANUFACTURER'S REQUIREMENT.
7. ALL FLOODLIGHTS REQUIRE SHIELDING FOR SHARP CUT OFF. ORDER FULL VISOR SEPARATELY FOR EACH LUMINAIRE USING CAT NO.: PSEDFV-GYSDP
8. FOR LIGHT FIXTURE PHOTOMETRICS, SEE PSEG STANDARD 'LED' LIGHTING DRAWINGS 458908-A & 458909-A.

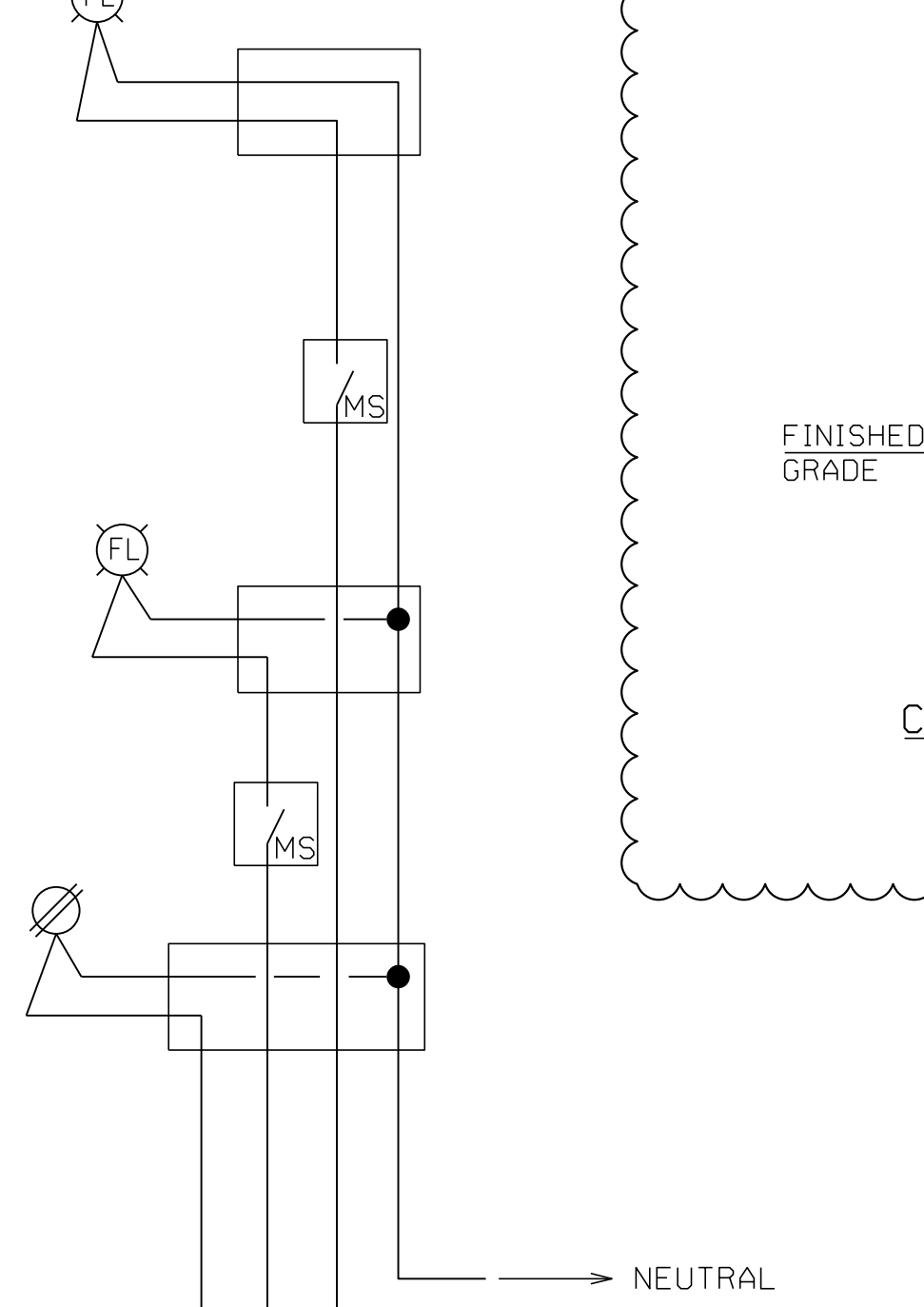
FIXTURE SCHEDULE

LIGHTING FIXTURE	MANUFACTURER'S CATALOG NO./CUT SH.#	FIXTURE DESCRIPTION	LED WATTAGE & VOLTAGE	LUMENS NOMINAL	MTG HEIGHT & DEGREE TILT	MOUNTING, ALL FIXTURES 2-HOLE ADJUSTABLE YOKE	QTY	REMARKS
TYPE #1	HOLOPHANE LTG PETROLUX LED PLED218L4K12UNNAGLS	STANDARD UPLIGHT "LED" W/ BUTTON PHOTOCELL INCL. & OCCUPANCY SENSOR	195W LED 120V	18000 LUMENS	8'-6"	FIELD DRILL PER HOLOPHANE FIXTURE NOTES & DETAILS	8	
TYPE #2	HOLOPHANE LTG PETROLUX LED PLED208L4KASUNNAGLS62LWVL DSNM. P35-DR	STANDARD DOWNLIGHT "LED" W/ BUTTON PHOTOCELL & OCCUPANCY SENSOR	74W LED 120-277V	8000 LUMENS	8'-6"	FIELD DRILL PER HOLOPHANE FIXTURE NOTES & DETAILS	6	
TYPE #3	HOLOPHANE LIGHTING PSELED PK2 MVDLT WFL 40K x GYSPD 10KWMP NR 05 43	STANDARD FLOODLIGHT "LED" W/ BUTTON PHOTOCELL INCL. & SENSOR SWITCH	81W LED 120-277V	7667 LUMENS	12'-0" MIN. FIELD ADJ. TILT	FIELD DRILL PER HOLOPHANE FIXTURE NOTES & DETAILS	20	SEE NOTES 1, 2, 9 & FIXTURE NOTE 1 BELOW
TYPE #4	HOLOPHANE LIGHTING PSELED PK2 MVDLT WFL 40K x GYSPD 10KWMP NR 05 43	STANDARD FLOODLIGHT "LED" W/ BUTTON PHOTOCELL INCL. & SENSOR SWITCH	81W LED 120-277V	7667 LUMENS	15'-0" MIN. FIELD ADJ. TILT	FIELD DRILL PER HOLOPHANE FIXTURE NOTES & DETAILS	13	SEE NOTES 1, 2, 9 & FIXTURE NOTE 1 BELOW
TYPE #5	HOLOPHANE LIGHTING PSELED PK2 MVDLT WFL 40K x GYSPD 10KWMP NR 05 43	STANDARD FLOODLIGHT "LED" W/ BUTTON PHOTOCELL INCL. & SENSOR SWITCH	81W LED 120-277V	7667 LUMENS	20'-0" MIN. FIELD ADJ. TILT	FIELD DRILL PER HOLOPHANE FIXTURE NOTES & DETAILS	2	SEE NOTES 1, 2, 9 & FIXTURE NOTE 1 BELOW

FIXTURE NOTES:
1. X = DENOTES LUMINAIRE MOUNTING METHOD TO BE SELECTED BASED ON THE APPLICATIONS.
EXAMPLE:
A. IF WALL MOUNTED = USE YOKE MOUNTING FRAME
B. IF SET ON SINGLE MONOPOLE = USE TENON SLIPFITTER.



RECEPTACLE & LIGHTING FIXTURE SCHEMATIC DIAGRAM (PER POLE)
FOR PLED LIGHTING FIXTURES



RECEPTACLE & LIGHTING FIXTURE SCHEMATIC DIAGRAM
FOR PLED LIGHTING FIXTURES

SITE LOCATION
225 SHARP RD
BLOCK 15, LOT 2

APPLICATION CASE # TBD

NO	DATE	DESCRIPTION	DWN	CKD	EXD	APD
2P1	08/14/25	REVISED LIGHT DETAILS FOR NEW GATE OPERATOR AND NEW A-FRAME WBS #C-92301.1.2.1.2.2	EH	FSA	EA	PB
2P	04/23/25	ADDED LIGHTS TO NEW A-FRAME WBS #C-92301.1.2.1.2.2	EH	FSA	EA	PB
1	11/19/21	REPLACE EXISTING YARD LIGHTS AND CONDUITS. ADD LED YARD LIGHTING DETAILS. WBS #C-9174.1.2.1.2	ED	DEL	DEL	KW

REVISION

COX'S CORNER SWITCHING STATION
230/13KV
LIGHTING DETAILS

DETAILS ELECTRICAL



PUBLIC SERVICE ELECTRIC AND GAS COMPANY
ELECTRIC DELIVERY COMPANY-ASSET RELIABILITY, NEWARK, N.J.

DRAWN: KDK CHECKED: KDK SCALE: 1"=1'-0"
DATE: 09/05/2014 EXAMINED:
WBS: C-91447.1.1.2 APPROVED:

398573 A -2P1

BLACK & VEATCH
1401 LAMAR AVE.
OVERLAND PARK, KS 66211
(CORPORATE HEADQUARTERS)

I HEREBY CERTIFY THAT THIS DOCUMENT WAS PREPARED BY ME OR UNDER MY DIRECT SUPERVISION AND THAT I AM A DESIGNER REGISTERED PROFESSIONAL ENGINEER UNDER THE LAWS OF THE STATE OF NEW JERSEY.

TYLER J. SCHUMACHER
N.J. PROFESSIONAL ENGINEER NO. 052763
LIC. EXP. 08/31/2025

DWN SCF
DES EH
CHK FSA
APD TJS